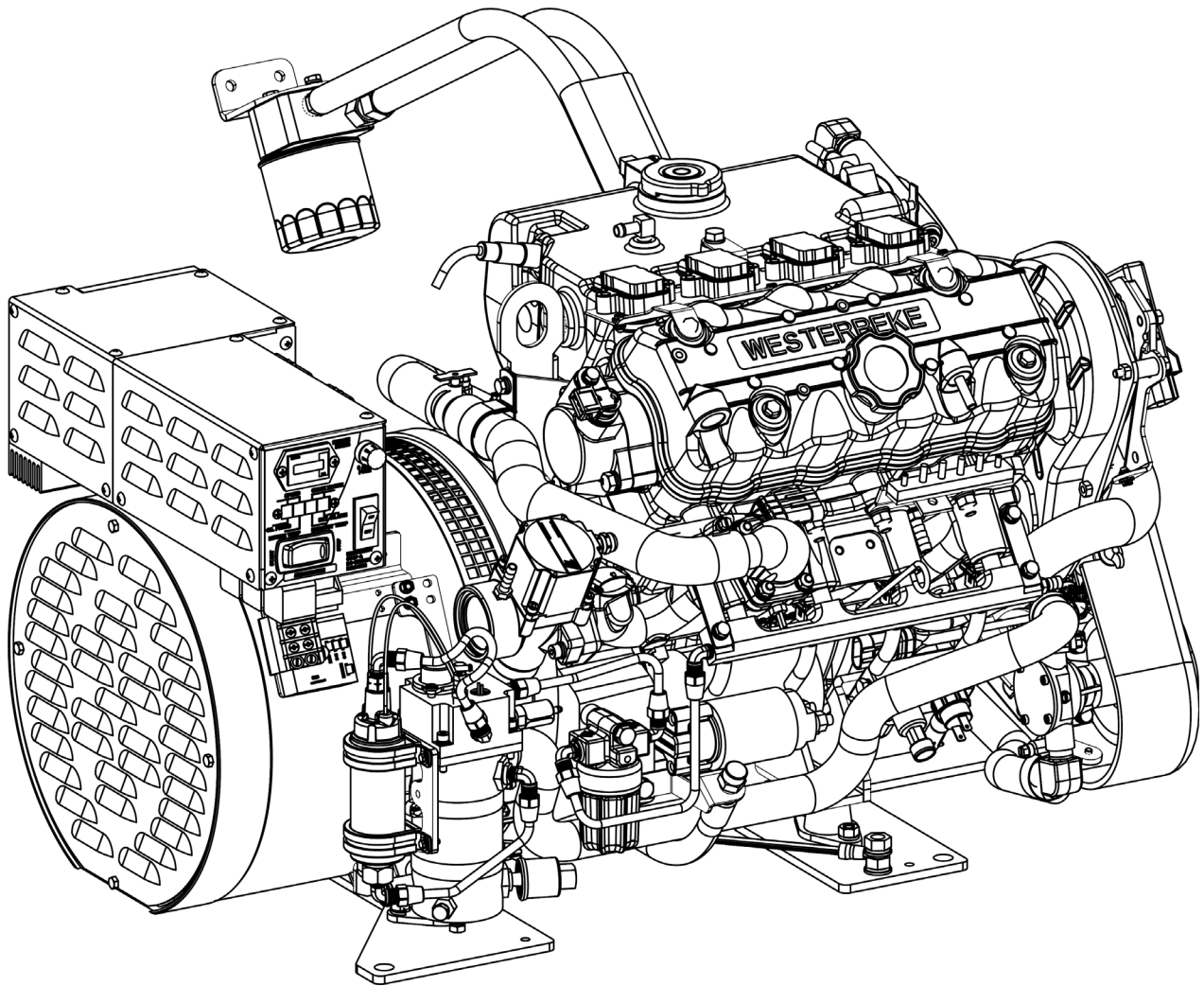
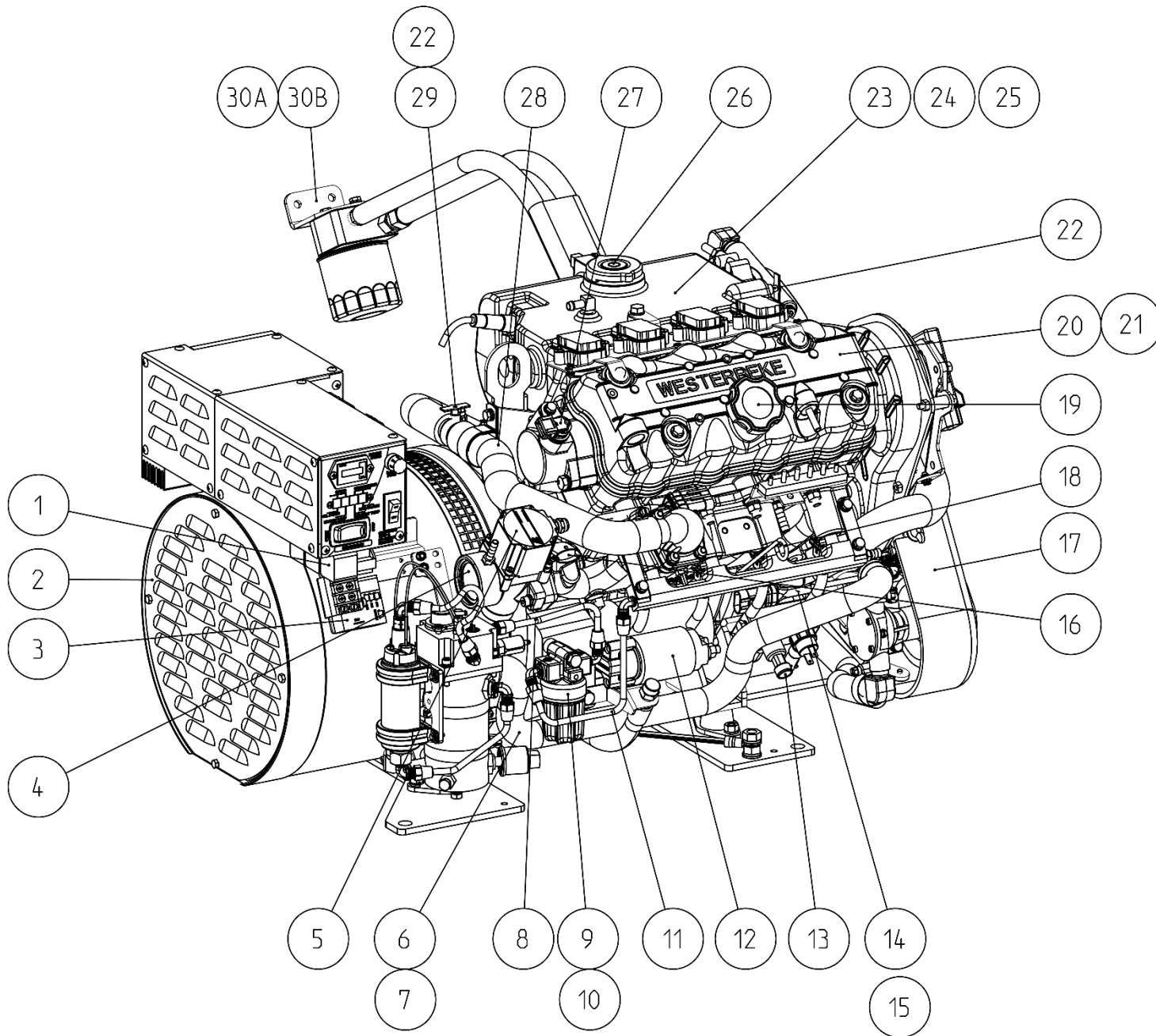


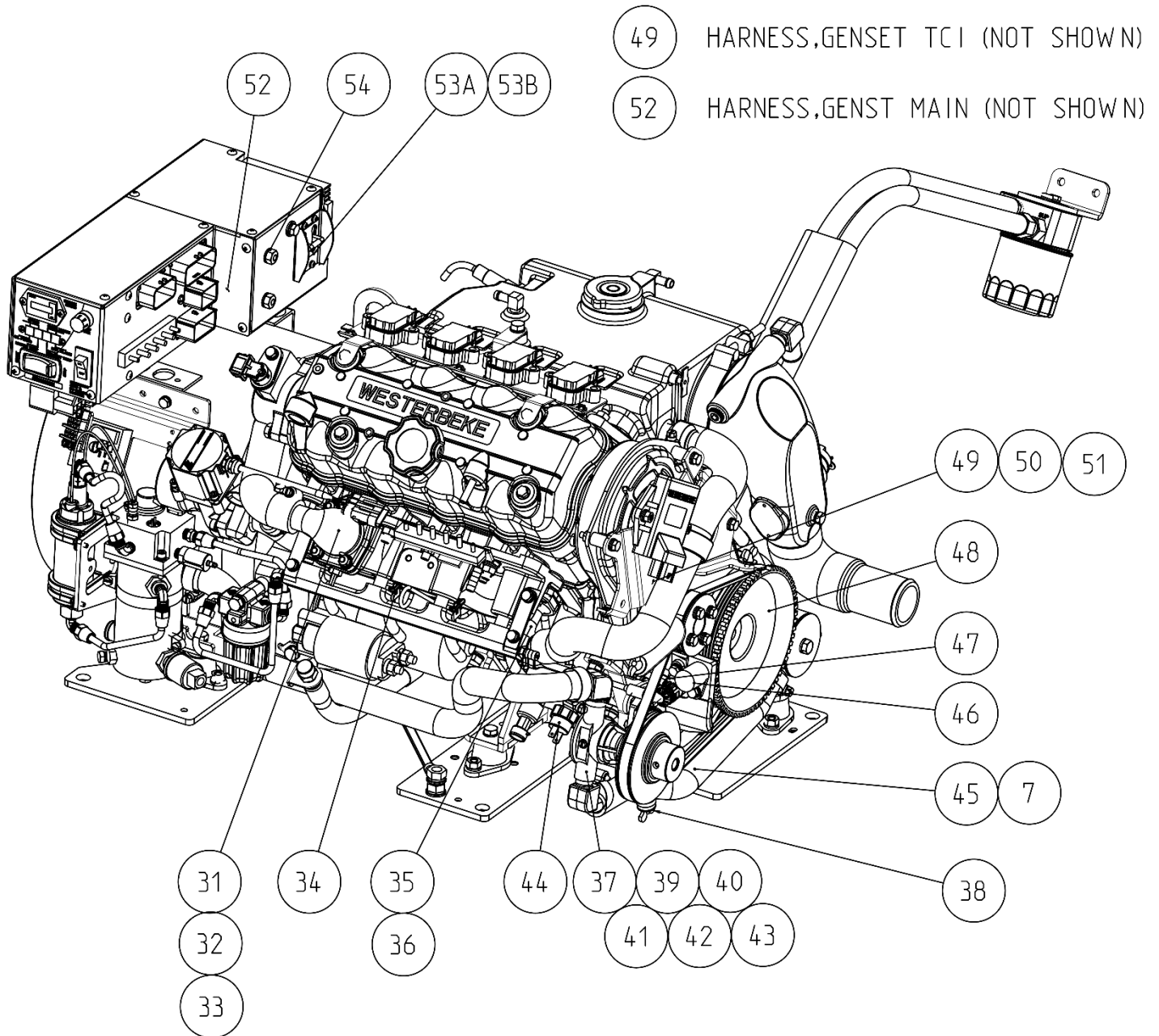
# ILLUSTRATED PARTS LIST

FOR MODELS  
9.5 MCGB (60HZ) AND 7.6 MCGB (50HZ)  
INCLUDING VENCLOSURE MODELS



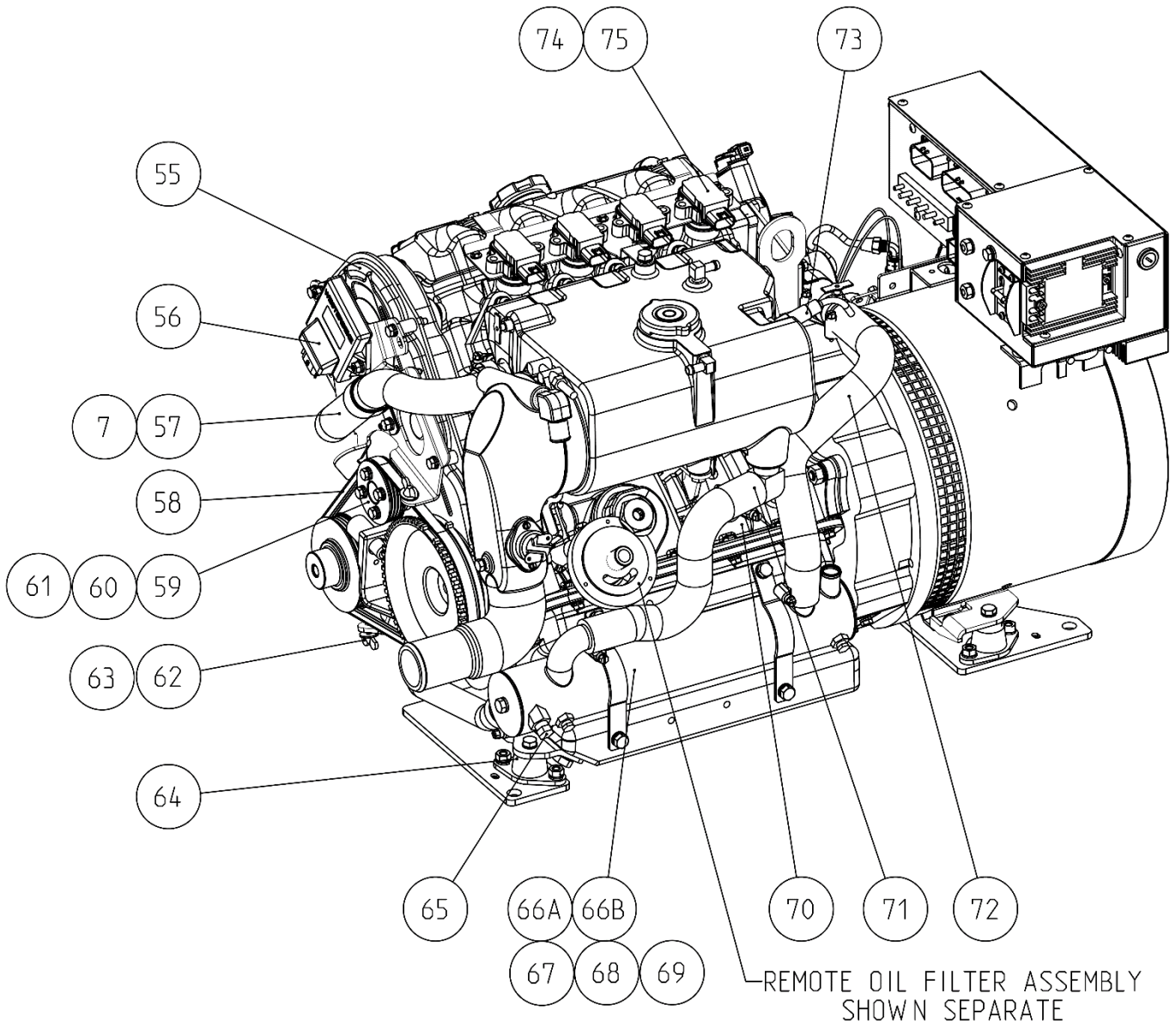


**SERVICE SIDE VIEW (LEFT)**

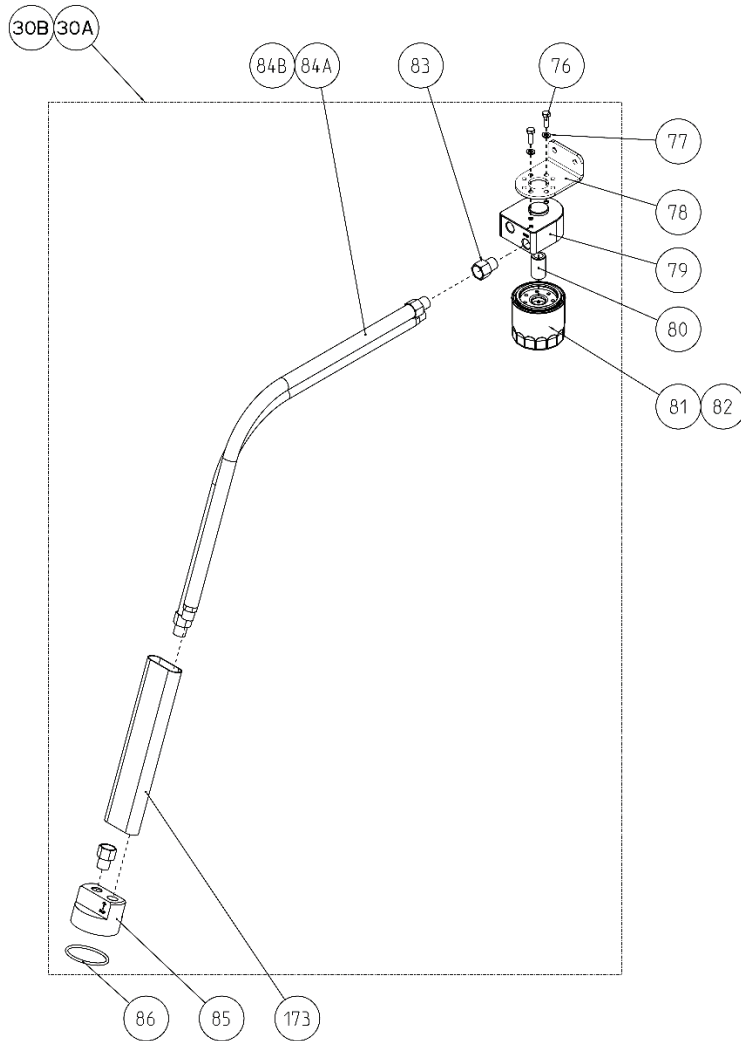


CONTACT SERVICE OR SPARE PARTS REPRESENTATIVE  
 FOR ECU REPLACEMENT, GENSET SERIAL NUMBER IS REQUIRED

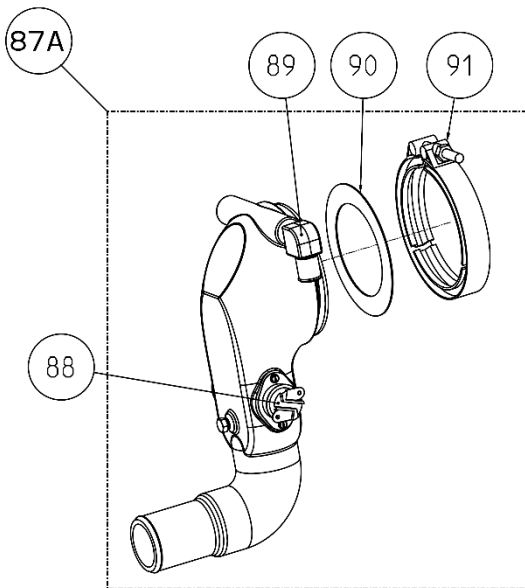
**SERVICE SIDE VIEW (RIGHT)**



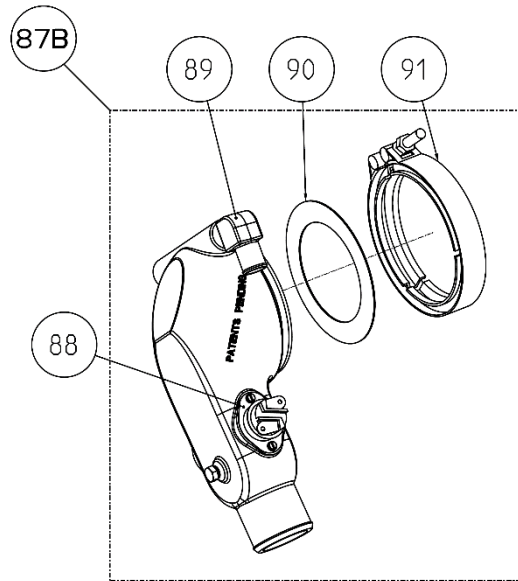
**NON-SERVICE SIDE VIEW (LEFT)**



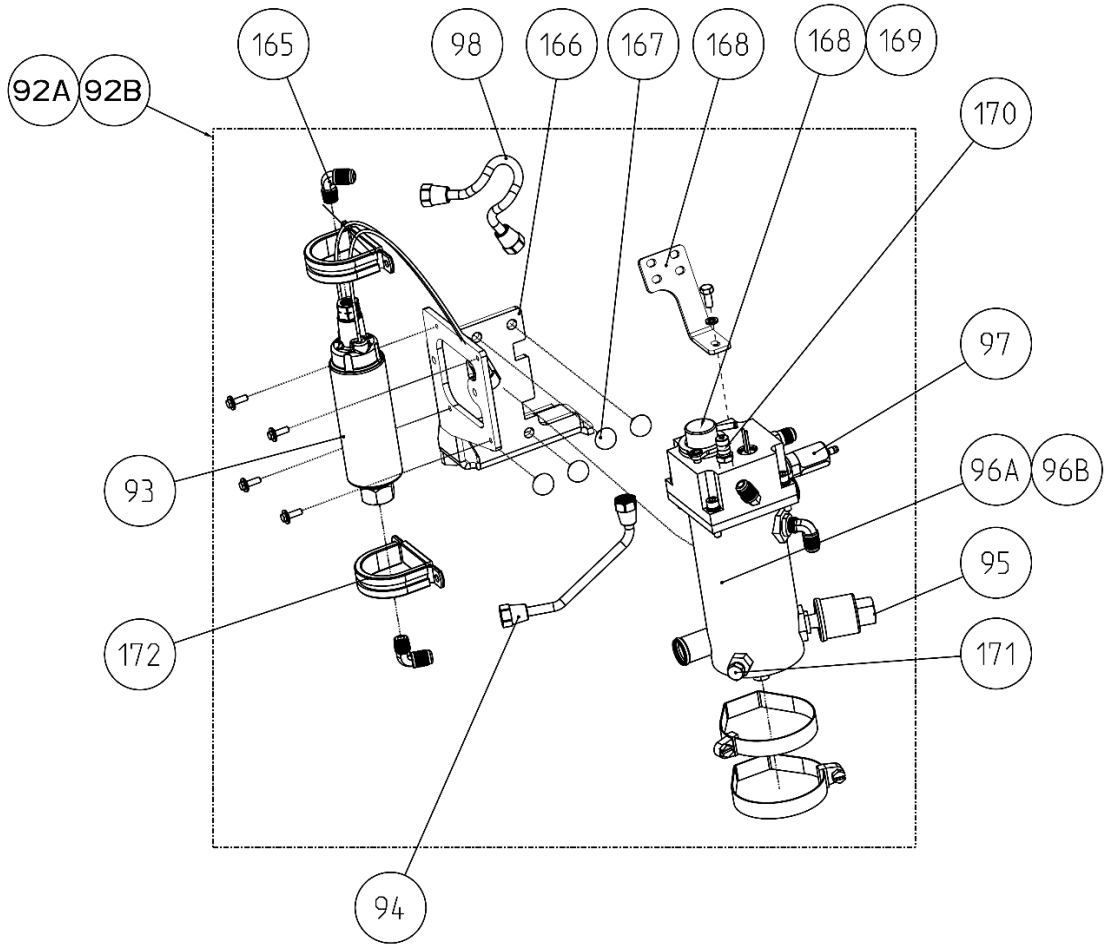
**REMOTE OIL FILTER ASSEMBLY**



**SIDE EXHAUST (SIDEX)**

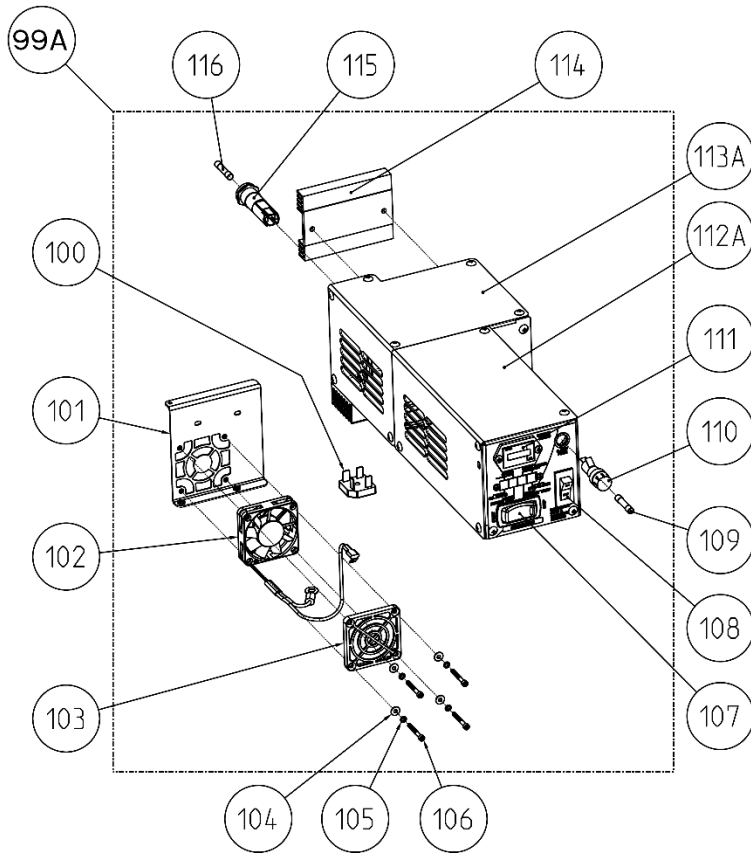


**REAR EXHAUST (REARX)**

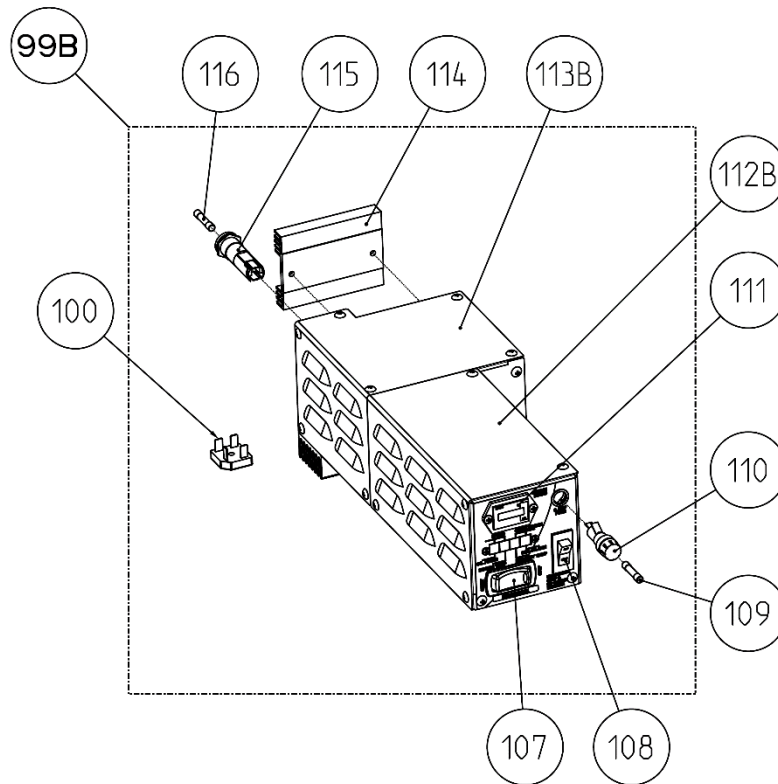


**FUEL PUMP MODULE**

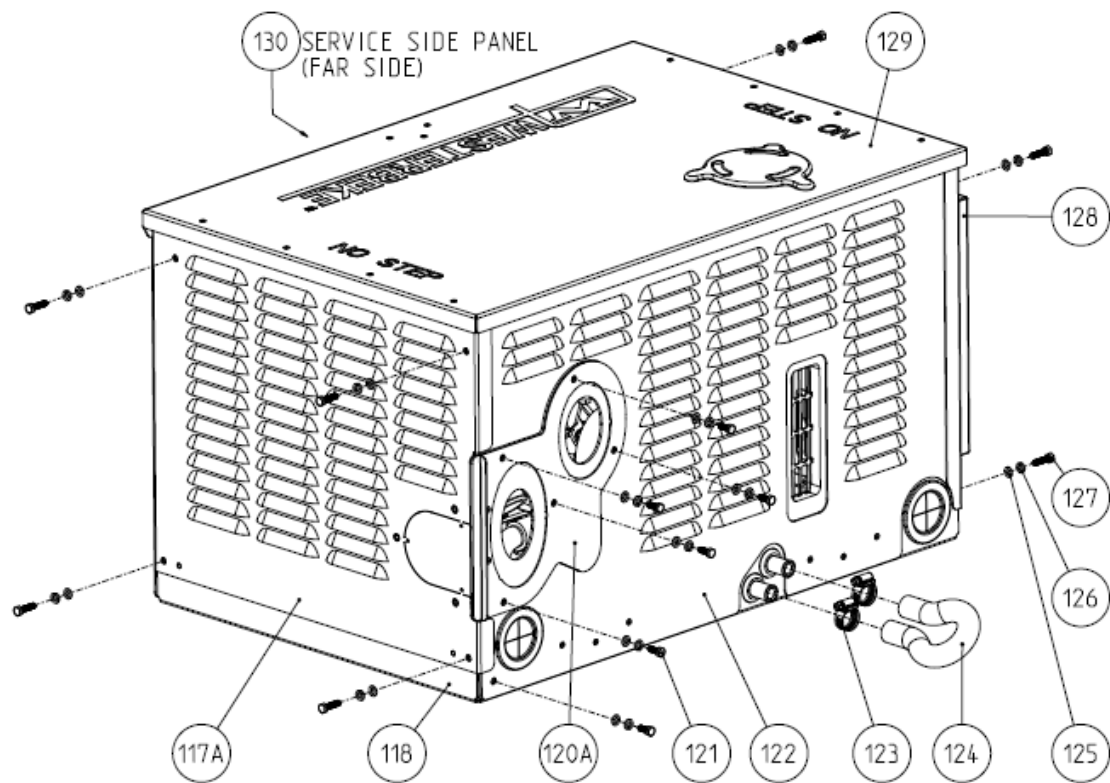




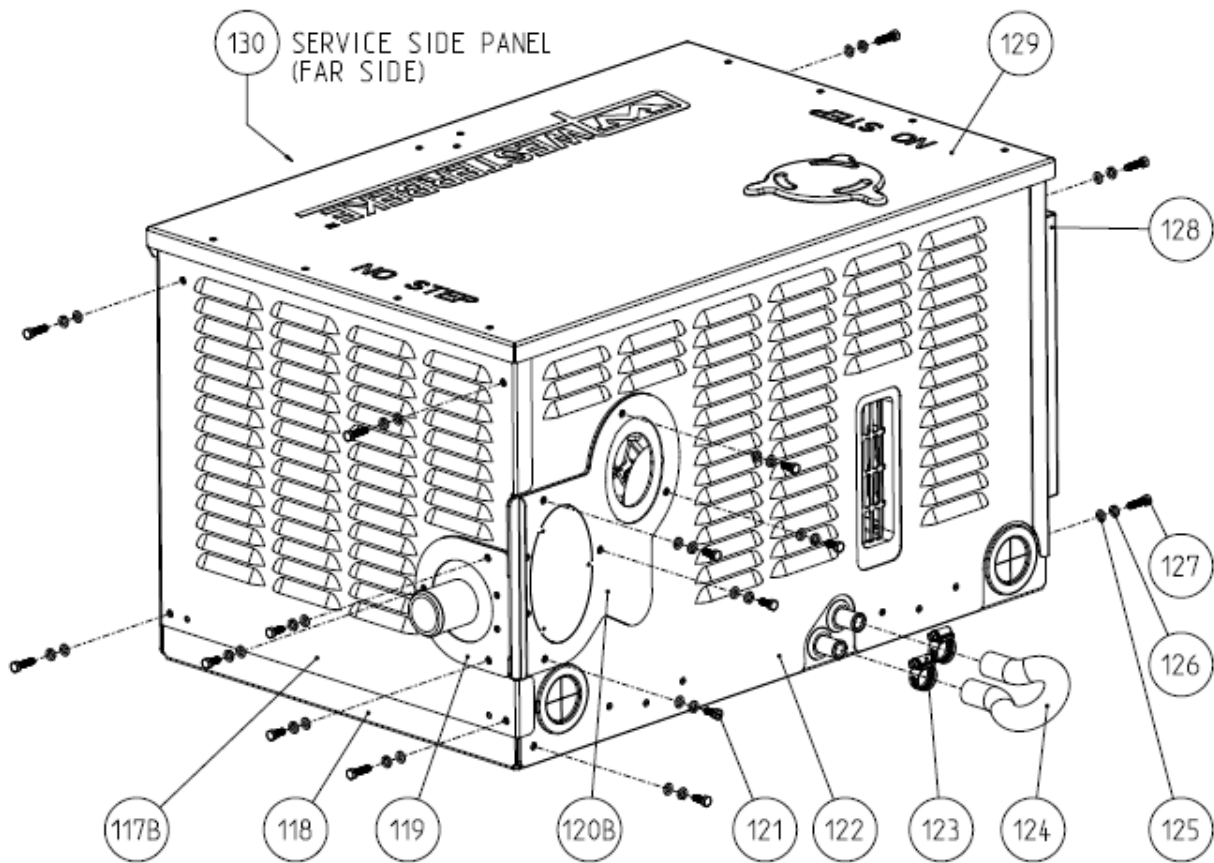
**CONTROL PANEL BOX (VENCLOSURE)**



**CONTROL PANEL BOX (NON-VENCLOSURE)**



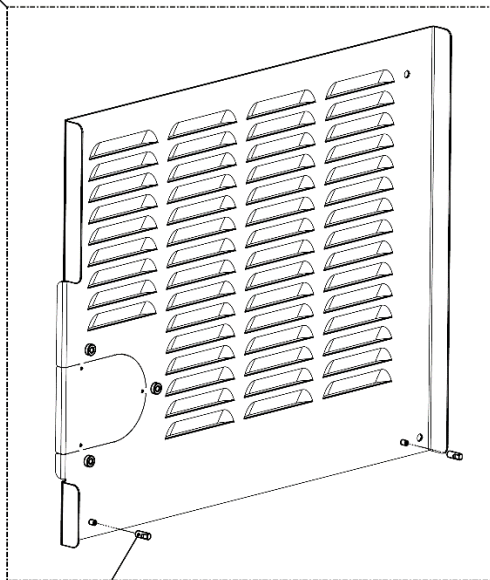
**VENCLOSURE ASSEMBLY (REARX)**



**VENCLOSURE ASSEMBLY (SIDEX)**



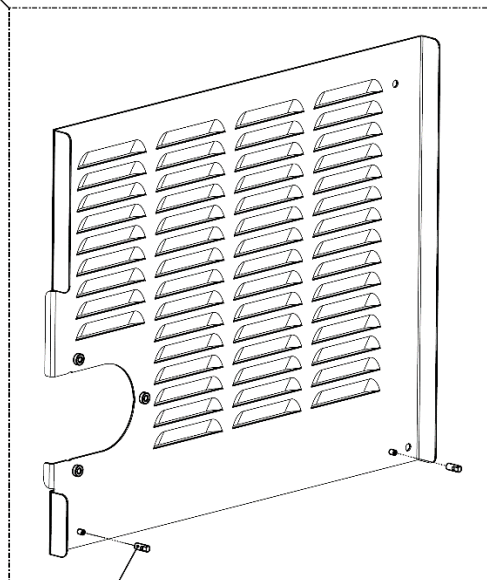
117A



141

**BELT SIDE PANEL (REARX)**

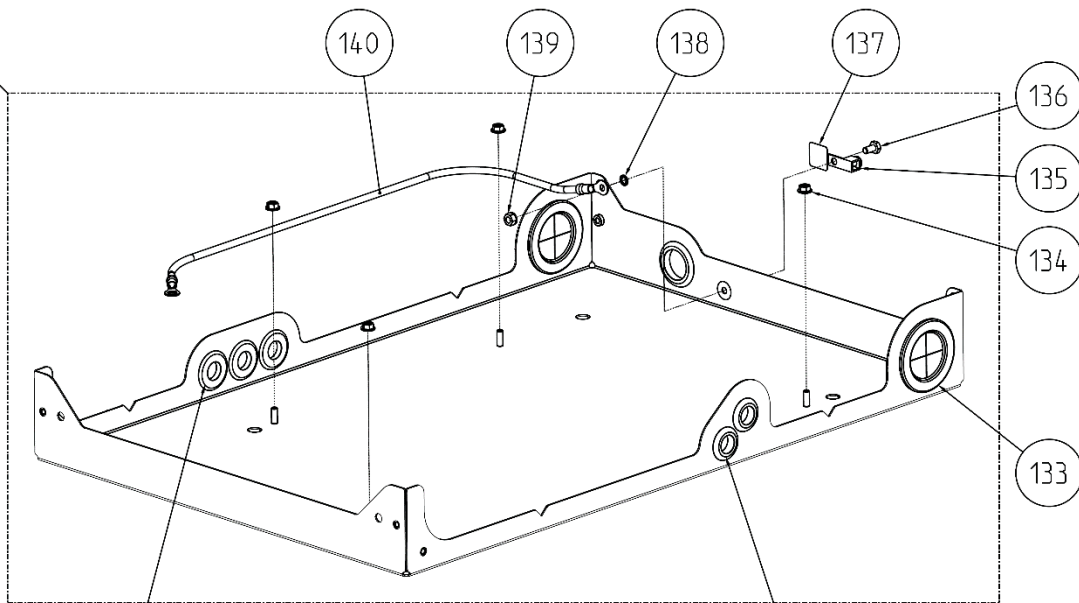
117B



141

**BELT SIDE PANEL (SIDEX)**

118



131

140

139

138

137

136

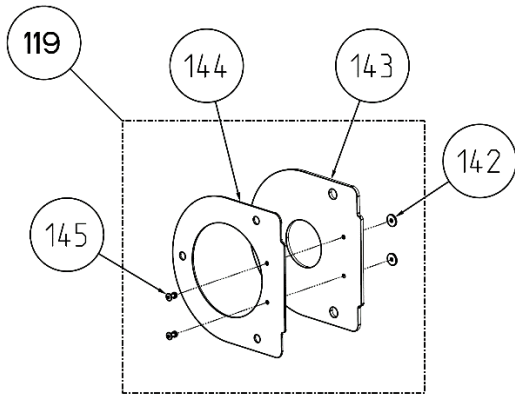
135

134

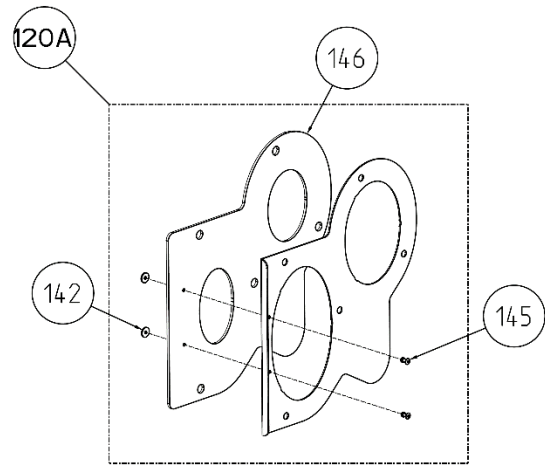
133

132

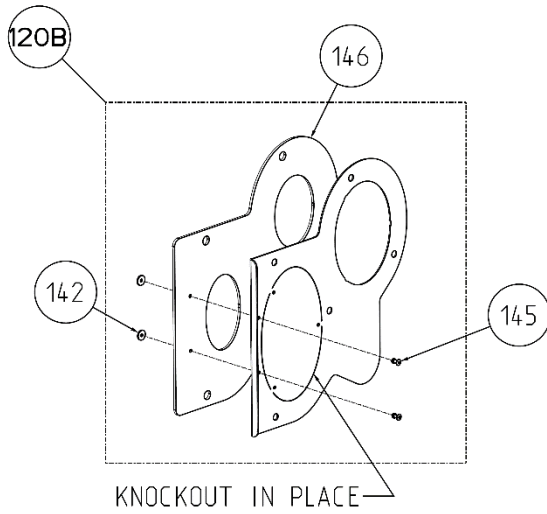
**BASE ASSY**



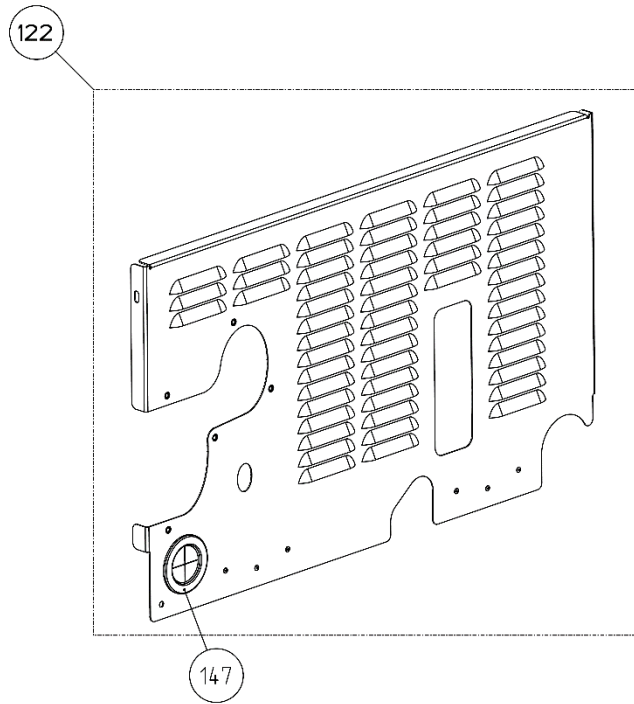
**SIDE FLANGE ASSY (SIDEX)**



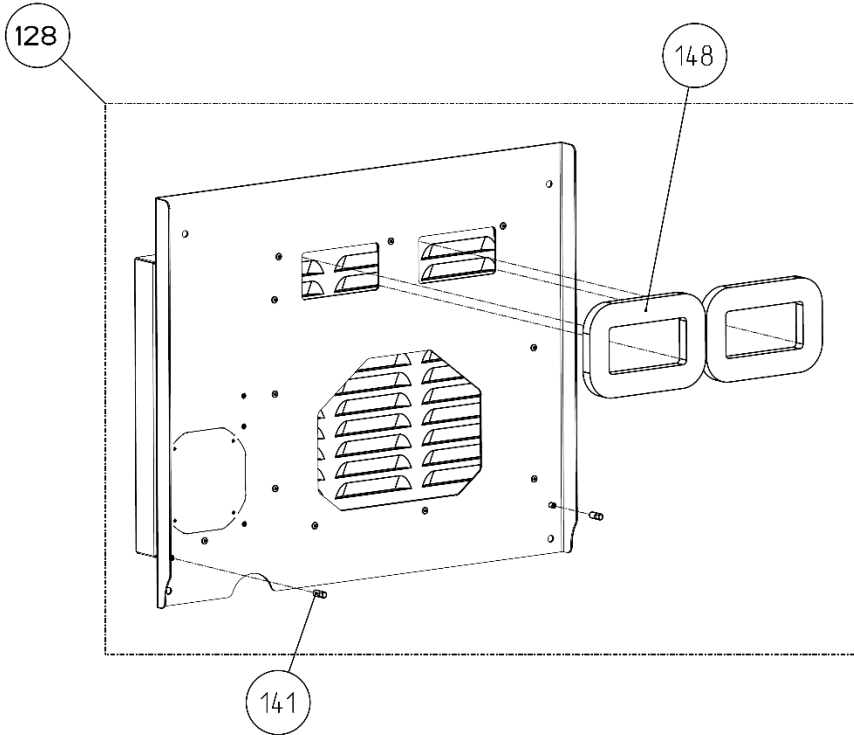
**REAR FLANGE ASSY (REARX)**



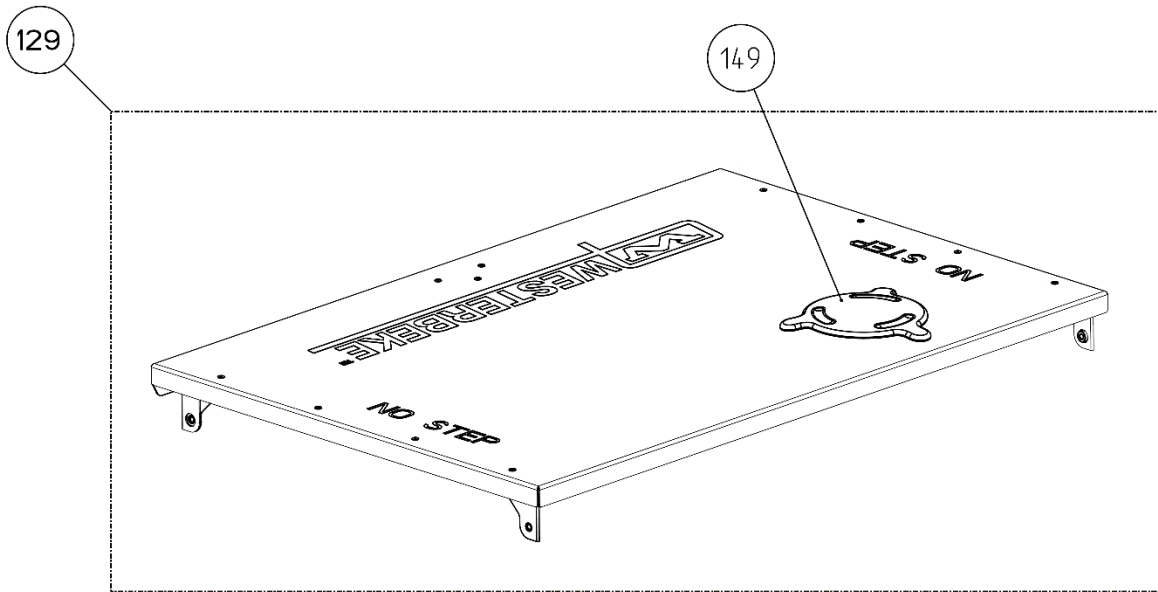
**REAR FLANGE ASSY (SIDEX)**



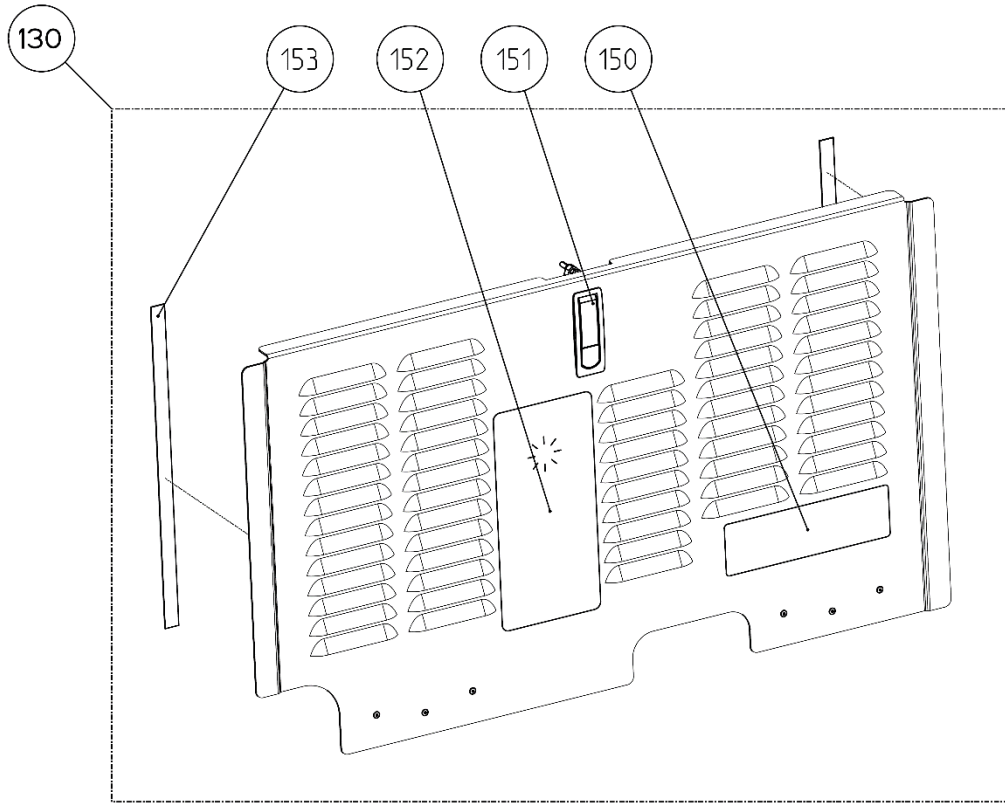
**REAR PANEL ASSY**



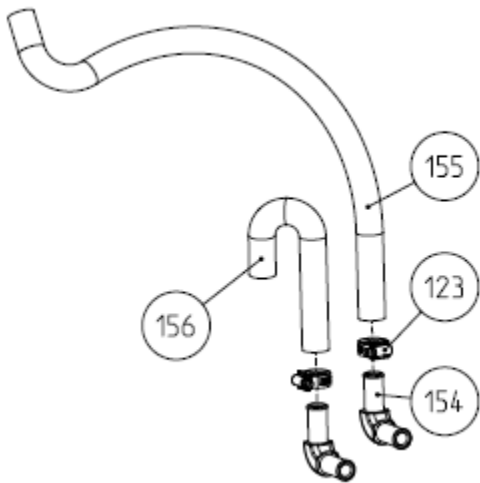
**GENERATOR PANEL**



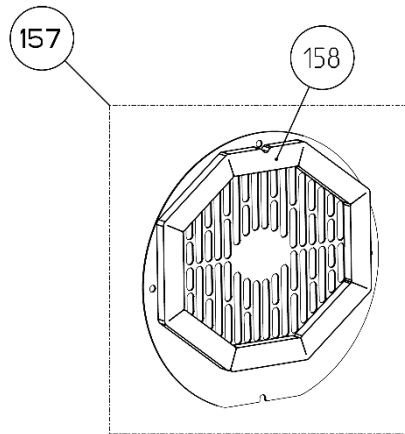
**TOP PANEL**



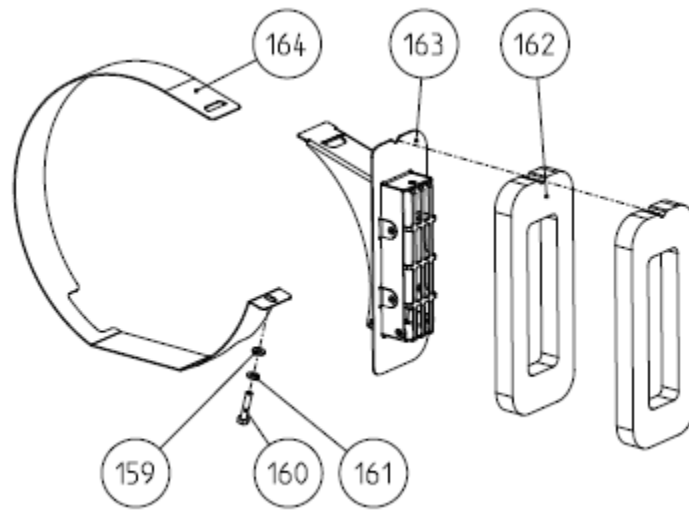
**SERVICE SIDE PANEL**



**SIPHON BREAK COMPONENTS**



**GENERATOR COVER**



**GENERATOR DUCT COMPONENTS**

# PARTS LIST

REF	PART #	PART NAME	NOTES
1	41150	RELAY 30A	
2	56830	GENERATOR 9.5KW	9.5/7.6 MCGA
3	53555	RELAY,TIMING	
4	54568	ARRESTOR,FLAME	
5	55530	THROTTLE BODY ASSY	
6	57007	HOSE,FUEL MODULE	
7	11405	CLAMP,HOSE 16	
8	56669	LINE,FUEL	
9	46800	FILTER,FUEL ASSEMBLY	
10	47006	ELEMENT,FUEL FILTER	
11	56947	LINE,FUEL	
12	46309	MOTOR,STARTER	
13	57229	SENDER,OIL PRESS PIEZO	
14	52799	HARNESS,BATTERY CHGR	
15	48792	FUSE 30A	USED IN 52799 BATTERY CHGR HARNESS
16	48989	SENSOR,MAP W/TEMP	
17	56544	GUARD,BELT	
18	56919	DIPSTICK	
19	56969	OIL CAP	
20	57988	COVER,ROCKER	
21	57926	GASKET,ROCKER COVER	
22	11471	PETCOCK	
23	56943	MANIFOLD,EXHAUST	
24	57375	CATALYST ASSY	
25	56921	GASKET,EXH MANIFOLD	
26	24306	CAP,PRESSURE 15PSI	
27	56705	SENSOR,SPEED CAM	
28	56967	HOSE,THERM TO BLEEDER	
29	56696	TEE	
30A	57198	FILTER,REMOTE OIL ASSY 40"	
30B	58045	FILTER,REMOTE OIL ASSY 60"	60" LONG OPTION
31	56622	HOUSING,THERMOSTAT	
32	56584	GASKET,THERM HOUSING	
33	42343	THERMOSTAT	
34	52855	INJECTOR,FUEL	
35	56597	ELBOW,WATER INLET	
36	56706	GASKET,WATER INLET	
37	55624	PUMP,SEA WATER	
38	46734	PULLEY,SEA WATER PUMP	
39	56607	BRACKET,SWP	
40	46622	IMPELLER KIT 46120 PUMP	
41	46624	O-RING,PUMP 46120	
42	34463	SCREW,IMPELLER COVER	
43	55718	KIT,WATER PUMP 55624	
44	37323	SWITCH,OIL PRESS	
45	56624	HOSE,SWP TO XCHGR	
46	56704	SENSOR,SPEED CRANK	OUTER, 58 TOOTH WHEEL
47	57754	SENSOR,SPEED ASSY	INNER, 3 TOOTH WHEEL
48	56832	PULLEY,CRANKSHAFT	

(CONTINUED NEXT PAGE)



(PARTS LIST CONTINUED)

REF	PART #	PART NAME	NOTES
49	56889	HARNES,GENSET TCI	
50	56670	FUSE 10A	USED IN 58261 TCI HARNESS
51	56671	FUSE 0.5A	USED IN 58261 TCI HARNESS
52	58258	HARNES,GENSET MAIN	
53A	38799	BREAKER,CIRCUIT 40A	9.5 MCGB
53B	38903	BREAKER,CIRCUIT 35A	7.6 MCGB
54	57016	CAPACITOR 45MFD	9.5 MCGB/7.6 MCGB
55	57076	BELT, TIMING	
56	56790	TCI MODULE	9.5 MCGB/7.6 MCGB
57	56903	HOSE,EXH MAN	
58	56797	BELT,POLY-V	
59	56638	PULLEY,FWP	
60	56885	PUMP,FRESH WATER	
61	57077	GASKET, FWP	
62	33228	WINGSCREW	
63	33372	WASHER 0.203ID	
64	55518	ISOLATOR,GEN 170 LB M8	
65	11885	ZINC ANODE	
66A	57255	EXCHANGER,HEAT	
66B	57107	EXCHANGER,HEAT CUNI	
67	47007	CAP,EXCHANGER	
68	46519	GASKET,EXCHANGER	
69	19321	O-RING 3/8 ID	
70	58031	ENGINE, BLOCK ASSY	
71	56983	HOSE,XCHGR TO EXH MAN	
72	56968	HOSE,BLEEDER TO XCHGR	
73	49077	SENSOR,OXYG WIDE BAND	
74	56702	COIL,IGNITION J3	
75	56754	SPARKPLUG J3	
76	46270	CAPSCREW	
77	55847	LOCKWASHER	
78	57012	BRACKET, OIL REMOTE	
79	57011	ADAPTER, FILTER	
80	34663	NIPPLE, OIL FILTER	
81	36918	FILTER, OIL	
82	57000	FILTER, OIL (12 PACK of 36918)	
83	13348	CONNECTOR, MALE, OIL LINE	
84A	11925	HOSE, OIL	40" LONG
84B	53973	HOSE,OIL 60 LG	60" LONG
85	57013	ADAPTER, ENGINE	
86	32148	O-RING	
87A	57067	KIT,WATER INJ ELB SIDEX	SIDEX MODELS
87B	57206	KIT,WATER INJ ELB REARX	REARX MODELS
88	32923	SWITCH,TEMP GEN EXH	
89	42258	ELBOW 3/8NPT x 3/4 HOSE	
90	48985	GASKET,EXHAUST ELBOW	
91	48984	CLAMP,EXHAUST ELBOW	
92A	56761	MODULE,FUEL PUMP ASSY	ALL MODELS
92B	57958	MODULE,FUEL PUMP ASSY CUNI	ALL MODELS, COPPER NICKEL CONSTRUCTION (OPTION)

(CONTINUED NEXT PAGE)

(PARTS LIST CONTINUED)

REF	PART #	PART NAME	NOTES
93	57962	PUMP,FUEL	
94	56763	LINE,FUEL	
95	48076	FILTER,FUEL 80MIC	
96A	56765	FUEL MODULE	
96B	57957	FUEL MODULE CUNI (OPTION)	
97	54500	VALVE,DIVERTER	
98	56773	LINE,FUEL	
99A	56880	PANEL,GENSET CTL VEN	VENCLOSURE MODELS W BAT. CHARGER
99B	55540	PANEL,GENSET CTL	NON-VENCLOSURE MODELS
99C	56881	PANEL,GENSET CTL VEN -BAT	VENCLOSURE MODELS W/O BAT. CHARGER
100	43649	RECTIFIER 50A	NOT USED ON ALL MODELS
101	56809	DIVIDER,CTR PANEL	
102	56847	FAN ASSY,PANEL	
103	56849	GUARD,56874 FAN	
104	56850	WASHER 0.149ID	
105	56851	LOCKWASHER	
106	56852	SCREW	
107	49200	SWITCH,ROCKER	
108	52732	BREAKER,CIRCUIT 20A	
109	33769	FUSE MTH 8A	
110	43747	HOLDER,FUSE	
111	43835	METER,HOUR	
112A	56783	COVER,CTL PANEL DC	VENCLOSURE MODELS
112B	49142	COVER,CONTROL BOX	NON-VENCLOSURE MODELS
113A	56812	COVER,CTL PANEL AC	VENCLOSURE MODELS
113B	49141	COVER,CONTROL BOX	NON-VENCLOSURE MODELS
114	52800	CHARGER,BATTERY	NOT USED ON ALL MODELS
115	43828	HOLDER,FUSE-BODY	NOT USED ON ALL MODELS
116	43634	FUSE MDA 30A	NOT USED ON ALL MODELS
117A	56964	PANEL, BELT	REARX MODELS
117B	75002	PANEL, BELT	SIDEX MODLES
118	56579	BASE ASSEMBLY	
119	57003	FLANGE ASSY, SIDE	SIDEX MODLES
120A	56987	FLANGE ASSEMBLY, REAR	REARX MODELS
120B	56995	FLANGE ASSEMBLY, REAR	SIDEX MODLES
121	56928	CAPSCREW	
122	56750	PANEL, REAR	
123	301083	CLAMP, HOSE #10	
124	56793	HOSE, SIPHON BREAK	
125	55812	WASHER	
126	55847	LOCKWASHER	
127	56842	CAPSCREW	
128	56970	PANEL,GEN	
129	56972	PANEL,TOP	
130	56981	PANEL,SERVICE SIDE	
131	56835	GROMMET, 1-1/4ID	
132	56834	GROMMET, 1-1/16ID	
133	39498	BUSHING, 2.5 HOLE	
134	57036	NUT	
135	49543	TERMINAL,GROUND LUG	

(CONTINUED NEXT PAGE)

(PARTS LIST CONTINUED)

REF	PART #	PART NAME	NOTES
136	31501	CAPSCREW	
137	47082	LABEL,GROUND SYMBOL	
138	231907	LOCKWASHER INT TOOTH	
139	200120	NUT	
140	57058	GROUND WIRE	
141	56815	ALIGNMENT PIN	
142	56839	WASHER, FLAT	
143	57005	SEAL,SIDEX	
144	57004	FLANGE,SIDEX	
145	43094	RIVET,POP	
146	56989	SEAL,REARX	
147	39498	BUSHING, 2.5 HOLE	
148	56813	SEAL,CTL PANEL	
149	56735	PLUG RUBBER	
150	56872	LABEL,LOGO EFI LOW-CO	
151	56843	LATCH	
152	56856	LABEL,FIRE PORT WARNING	
153	43248	GASKET-PANEL EDGE, 14' EACH	
154	56733	ELBOW	
155	56990	HOSE,VENCL TO EXH ELBOW	
156	56736	HOSE,XCHGR TO VENCL	
157	56920	COVER ASSY, ALTERNATOR	
158	56778	SEAL,GEN INLET	
159	31784	WASHER	
160	13590	CAPSCREW	
161	31783	LOCKWASHER	
162	56767	SEAL,DUCT	
163	56871	DUCT ASSY, GEN EXHAUST	
164	56760	STRAP, DUCT GEN EXHAUST	
165	55511	ELBOW,MALEE	
166	56762	BRACKET,FUEL MODULE	
167	55534	BUMPER,RUBBER	
168	54769	REGULATOR,FUEL	
169	54770	RETAINER,FUEL REGULATOR	
170	54500	VALVE,DIVERTER	
171	19369	PLUG	
172	57825	CLAMP	
173	58356	SLEEVE, HOSE	

## **OPTIONAL PARTS LIST** (NOT SHOWN IN ILLUSTRATIONS)

REF	PART #	PART NAME	NOTES
OP1	54928	PANEL,REMOTE CONTROL	START/STOP WITH LED (4" X 4")
OP2	55345	PANEL,REMOTE ST-STOP	START/STOP ONLY (2.6" X 3.2")
OP3	58030	GASKET SET, UPPER	
OP4	58029	GASKET SET,COMPLETE	
OP5	57806	SPARE PARTS KIT A	CONTAINS ITEMS: 67,99,17A,106,42,40,86,15,60,52,53,77
OP6	58028	SPARE PARTS KIT B	CONTAINS ITEMS: 65,109,81,33,116,100,68,40,10,95,15,43,50,51,75,58,OP4
OP7	58033	HOSE KIT	CONTAINS ITEMS: 7,45,28,72,71,6,57,155,123,24906,55537
OP8	56997	MANUAL,OPERATOR	
OP9	58259	DGGENSET WIRE	WIRING DIAGRAM SCHEMATIC
OP10	54931	CABLE,EXTENSION 15'	15FT EXTENSION FOR 54928/55345
OP11	54932	CABLE,EXTENSION 30'	30FT EXTENSION FOR 54928/55345
OP12	57261	CABLE,EXTENSION 15' W/ LOOM	15FT EXTENSION FOR 54928/55345
OP13	57260	CABLE,EXTENSION 30' W/ LOOM	30FT EXTENSION FOR 54928/55346
OP14	57854	CABLE,EXTENSION 15' SHIELDED	15FT EXTENSION FOR 54928/55347
OP15	57855	CABLE,EXTENSION 30' SHIELDED	30FT EXTENSION FOR 54928/55348
OP16	57856	CABLE,EXTENSION 50' SHIELDED	50FT EXTENSION FOR 54928/55349
OP17	57857	CABLE,EXTENSION 75' SHIELDED	75FT EXTENSION FOR 54928/55350
OP18	57858	CABLE,EXTENSION 100' SHIELDED	100FT EXTENSION FOR 54928/55351
OP19	56264	HARNESS KIT, AUX RELAY	HARNESS FOR POWERING EXTERNAL RELAY